

MODULAR M700 BOLT



Rebarrel Your Old Remington M700
Short Action to Today's Most Popular Caliber

DIRECT FIT TO REMINGTON M700 RECEIVERS
(Initial Offering Requires Non-Counterbore Barrel Face)



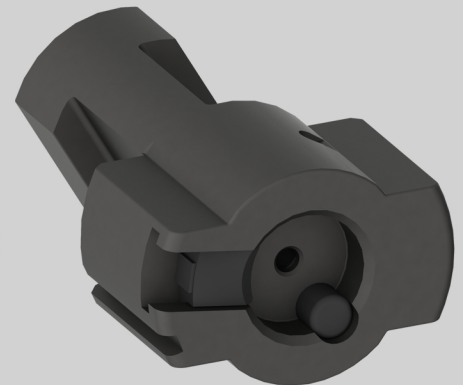
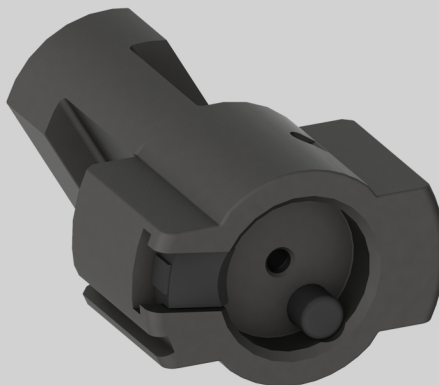
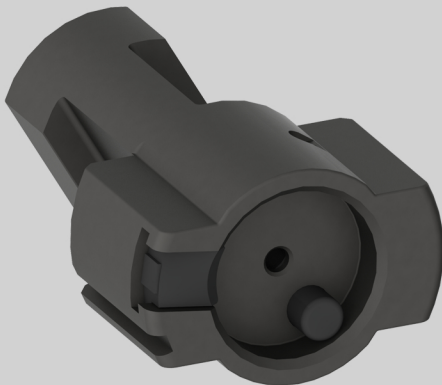
Remington M700 Receiver Compatible
Direct Fit to M700 Striker Assembly
User Replaceable Bolt Heads
Small, Standard, & Magnum Bolt Heads
Integral Primary Extraction Cam
Plate Extractor - No Compromise in Lug Strength
M700 Ejector Assembly
Replaceable Bolt Handles & Bolt Knobs

**Bolt Assemblies & Bolt Heads Come Complete
with Ejector and Extractor Assemblies INSTALLED!**

Magnum Bolt Head
Standard & WSM Versions

Standard Bolt Head

Small Bolt Head



WWW.ATLASDG.COM



BECOME A DEALER: SALES@ATLASDG.COM